

По вопросам продаж и поддержки обращайтесь:

Архангельск (8182)63-90-72
Астана (7172)727-132
Астрахань (8512)99-46-04
Барнаул (3852)73-04-60
Белгород (4722)40-23-64
Брянск (4832)59-03-52
Владивосток (423)249-28-31
Волгоград (844)278-03-48
Вологда (8172)26-41-59
Воронеж (473)204-51-73
Екатеринбург (343)384-55-89

Иваново (4932)77-34-06
Ижевск (3412)26-03-58
Казань (843)206-01-48
Калининград (4012)72-03-81
Калуга (4842)92-23-67
Кемерово (3842)65-04-62
Киров (8332)68-02-04
Краснодар (861)203-40-90
Красноярск (391)204-63-61
Курск (4712)77-13-04
Липецк (4742)52-20-81

Магнитогорск (3519)55-03-13
Москва (495)268-04-70
Мурманск (8152)59-64-93
Набережные Челны (8552)20-53-41
Нижний Новгород (831)429-08-12
Новокузнецк (3843)20-46-81
Новосибирск (383)227-86-73
Омск (3812)21-46-40
Орел (4862)44-53-42
Оренбург (3532)37-68-04
Пенза (8412)22-31-16

Пермь (342)205-81-47
Ростов-на-Дону (863)308-18-15
Рязань (4912)46-61-64
Самара (846)206-03-16
Санкт-Петербург (812)309-46-40
Саратов (845)249-38-78
Севастополь (8692)22-31-93
Симферополь (3652)67-13-56
Смоленск (4812)29-41-54
Сочи (862)225-72-31
Ставрополь (8652)20-65-13

Сургут (3462)77-98-35
Тверь (4822)63-31-35
Томск (3822)98-41-53
Тула (4872)74-02-29
Тюмень (3452)66-21-18
Ульяновск (8422)24-23-59
Уфа (347)229-48-12
Хабаровск (4212)92-98-04
Челябинск (351)202-03-61
Череповец (8202)49-02-64
Ярославль (4852)69-52-93

Единый адрес: esu@nt-rt.ru | <http://epluse.nt-rt.ru>

EE03

OEM Humidity / Temperature Module alterations according to customer specifications possible

The EE03 is an inexpensive, highly accurate, temperature and humidity measurement module for OEM applications that communicates via a two-wire digital protocol. Originally designed and manufactured for the automotive industry, this device has excellent long-term stability and is ideal for a wide range of applications that require remote or embedded RH and temperature measurements.

The EE03 plug-in module design also allows for ambient air monitoring or measurement of surface humidity and temperature to detect near-condensation (dew point) conditions. For applications in salt air or harsh environments, the EE03 is also available with an optional protective coating.

The EE03 features an embedded microprocessor that retains calibration data, and provides a full-range, temperature corrected humidity output. The simple E2 digital protocol used by the EE03 allows for low-cost integration with other devices utilizing microprocessor based control or monitoring.



EE03

Typical Applications

HVAC & economizer control
automotive
appliances
consumer products
humidifiers
dehumidifiers
medical technology

Features

digital two wire output for RH and T
qualified for surface condensation monitoring
interchangeable plug-in design
integrated easily to systems
compact design
low power consumption
cable length up to 10m (32.8ft)
optional protective coating for harsh environments
traceable calibration

Technical Data

Measuring values

Relative Humidity

Sensor	HC103
Digital output (2 wires) ²⁾	output value: 0.00...100.00% RH
Working range ¹⁾	0...95% RH with coating 0...100% RH
Accuracy at 21°C (70°F)	±3% RH (10...100% RH)
Temperature dependence	Traceable to intern. standards, administrated by NIST, PTB, BEV... ±0.00035 x RH x (T-20°C)

Temperature

Digital output (2 wires) ²⁾	Output value: -40.00...+85.00°C (-40.00...+185.00°F)
Accuracy at 20°C (68°F)	±0.3°C (±0.54°F)

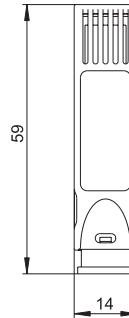
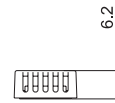
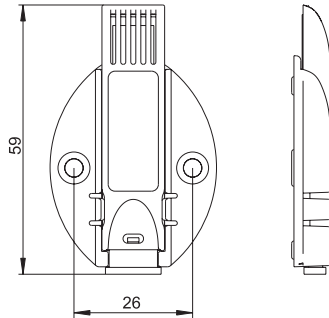
General

Supply voltage ³⁾	2.5V DC - 5.5V DC
Current consumption at 5V DC	average value: typ. 0.30mA peak, every 3s: 1.70mA
Housing	ABS-PC / IP20
Electromagnetic compatibility	EN 61000-6-3 EN 61000-6-1
Temperature range	working temperature: -40...85°C (-40...185°F) storage temperature: -40...60°C (-40...140°F)
Maximum cable length	10m (32.8ft)
Electrical connections	designed for female connectors: AMP/TYCO / 0-0280359-0 (4 pins) and female crimp contacts: AMP/TYCO / 181270-1

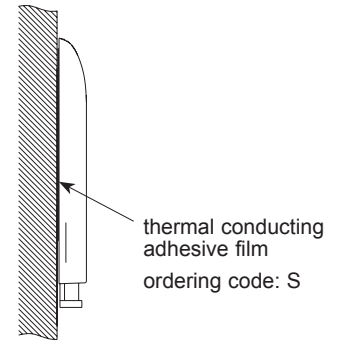


Dimensions (mm) / Mounting

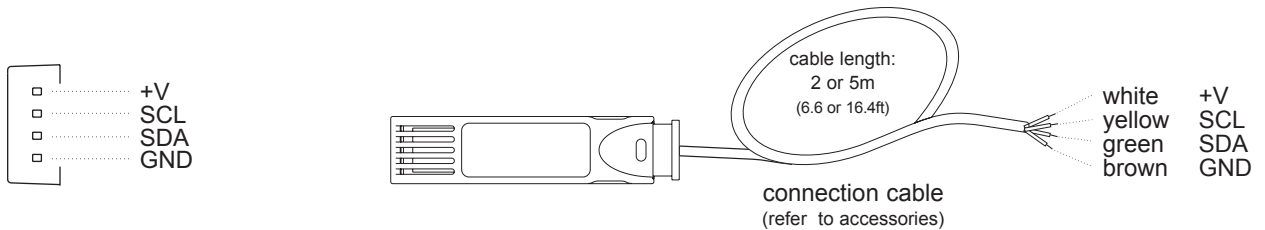
1 mm = 0.03937" / 1" = 25.4 mm



mounting by adhesive film
for optimum temperature-offset
(condensation monitoring)



Connection diagram

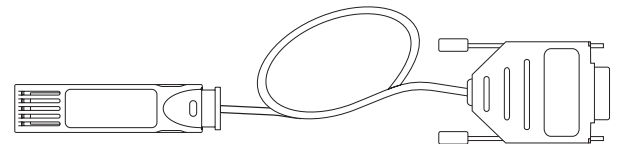


Ordering Guide

MODEL	OUTPUT	ADHESIVE FILM	PROTECTIVE COATING
humidity and temperature (FT)	E2-interface (9)	no (no code) yes (S)	without coating (no code) with coating (HC)
EE03-			

Accessories

- E2-interface - RS232 converter: HA011002
A RS232 converter is available for first testing measurements with a PC
- mounting set (plate, screws, dowel) HA010206
- connection cable 2m (6.6ft) HA010307
5m (16.4ft) HA010308



E2-interface - RS232 converter

По вопросам продаж и поддержки обращайтесь:

Архангельск (8182)63-90-72
Астана (7172)727-132
Астрахань (8512)99-46-04
Барнаул (3852)73-04-60
Белгород (4722)40-23-64
Брянск (4832)59-03-52
Владивосток (423)249-28-31
Волгоград (844)278-03-48
Вологда (8172)26-41-59
Воронеж (473)204-51-73
Екатеринбург (343)384-55-89

Иваново (4932)77-34-06
Ижевск (3412)26-03-58
Казань (843)206-01-48
Калининград (4012)72-03-81
Калуга (4842)92-23-67
Кемерово (3842)65-04-62
Киров (8332)68-02-04
Краснодар (861)203-40-90
Красноярск (391)204-63-61
Курск (4712)77-13-04
Липецк (4742)52-20-81

Магнитогорск (3519)55-03-13
Москва (495)268-04-70
Мурманск (8152)59-64-93
Набережные Челны (8552)20-53-41
Нижний Новгород (831)429-08-12
Новокузнецк (3843)20-46-81
Новосибирск (383)227-86-73
Омск (3812)21-46-40
Орел (4862)44-53-42
Оренбург (3532)37-68-04
Пенза (8412)22-31-16

Пермь (342)205-81-47
Ростов-на-Дону (863)308-18-15
Рязань (4912)46-61-64
Самара (846)206-03-16
Санкт-Петербург (812)309-46-40
Саратов (845)249-38-78
Севастополь (8692)22-31-93
Симферополь (3652)67-13-56
Смоленск (4812)29-41-54
Сочи (862)225-72-31
Ставрополь (8652)20-65-13

Сургут (3462)77-98-35
Тверь (4822)63-31-35
Томск (3822)98-41-53
Тула (4872)74-02-29
Тюмень (3452)66-21-18
Ульяновск (8422)24-23-59
Уфа (347)229-48-12
Хабаровск (4212)92-98-04
Челябинск (351)202-03-61
Череповец (8202)49-02-64
Ярославль (4852)69-52-93

Единый адрес: esu@nt-rt.ru | <http://epluse.nt-rt.ru>